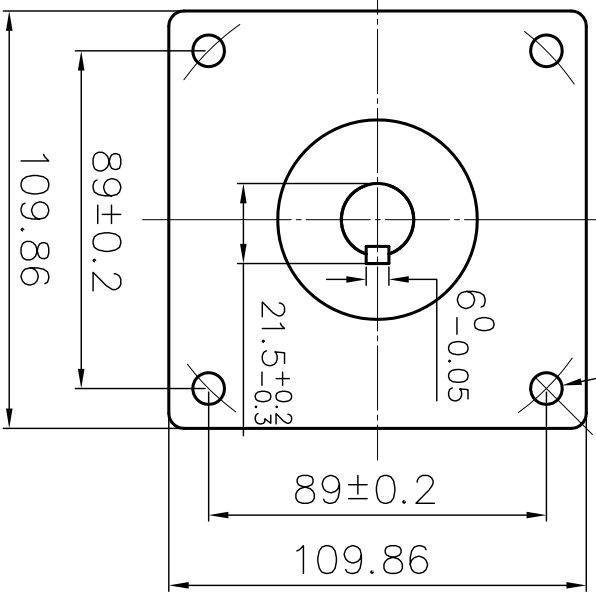
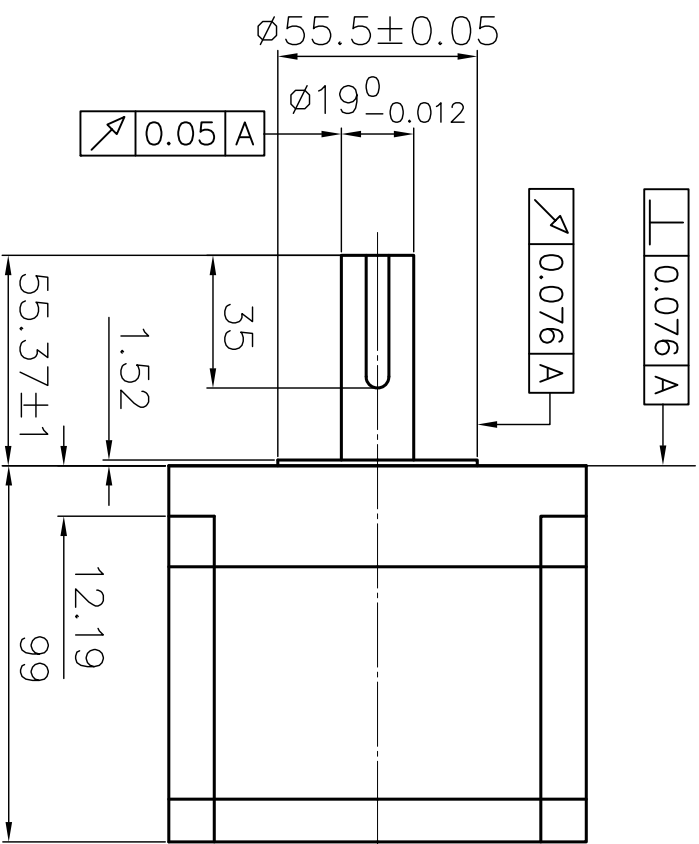


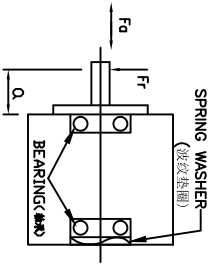
REV	ECN NO.	DESCRIPTION	DRN	APP'D	DATE



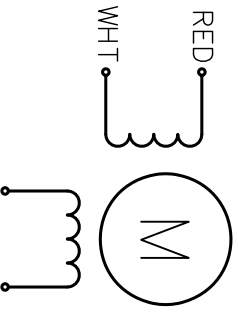
SPECIFICATION

STEP ANGLE	步距角	1.8°/full step (步距)
STEP ANGLE ACCURACY	步距角精度	±5%
NUMBER OF PHASE	绕组相数	2
RATED VOLTAGE	额定电压	3.85VDC
RATED CURRENT	额定电流	5.5A
RESISTANCE/PHASE	每相电阻	0.7±10% ohms@20°C
INDUCTANCE/PHASE	每相电感	9.8±20% mH@1kHz
HOLDING TORQUE	保持转矩	11.2N.m (保持转矩)
PULL OUT TORQUE	运行转矩	N.m@ RPM
BACK EMF	反电动势	V @300RPM
DETTENT TORQUE	定位转矩	N.cm
ROTOR INERTIA	转子转动惯量	3000 g.cm <sup>2</sup>
WEIGHT	重量	5.0kg
TEMPERATURE RISE	温升	Less than 80K (4#10#)
SOURCE VOLTAGE	驱动器电压	70-170 VAC
INSULATION CLASS	绝缘等级	B 150°C
DIELECTRIC STRENGTH	介电强度	1200VAC 1s
INSULATION RESISTANCE	绝缘电阻	100MΩhm @500VDC
IP CODE	防护等级	IP30
OPERATION AMBIENT	使用环境	Ambient temperature:-20...+50°C,humidity Max. 85%(No condensation)
STORAGE AMBIENT	存储环境	Ambient temperature:-20...+85°C,humidity Max. 85%(No condensation)

PERMISSIBLE RADIAL+AXIAL FORCE



Wiring diagram



FULL STEP, PARALLEL BIPOLAR

CW DIRECTION	STEP	A	C	B	D
↑	1	+		+	
	2		+		+
	3			+	
	4	+			+
	1	+			+

CW, VIEW FROM FRONT SHAFT END

REV	ECN NO.	DESCRIPTION	DRN	APP'D	DATE	DESIGN	DATE	P/N
UNLESS OTHERWISE SPECIFIED		MATERIAL		CHECK		TITLE		
TOLERANCES:		ANGULAR:		APPD		Specifications		
.x ±0.5		±0°30'				USED ON		
.xxx ±0.25						FL1105TH99-5504A		
.xxx ±0.1						DWG NO.		
DO NOT SCALE DRAWING		FIRST ANGLE PROJECTION		SCALE		REV		
						A		
						PULLING MOTOR		