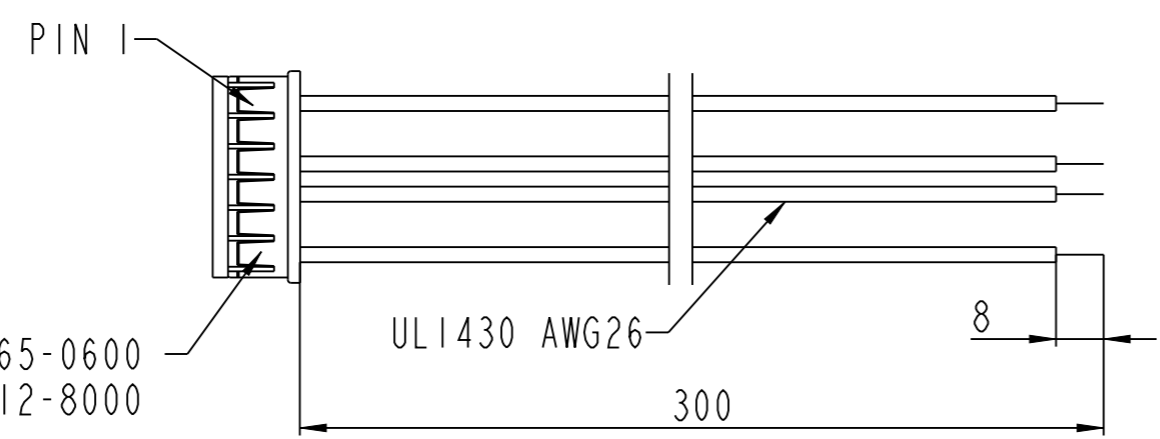
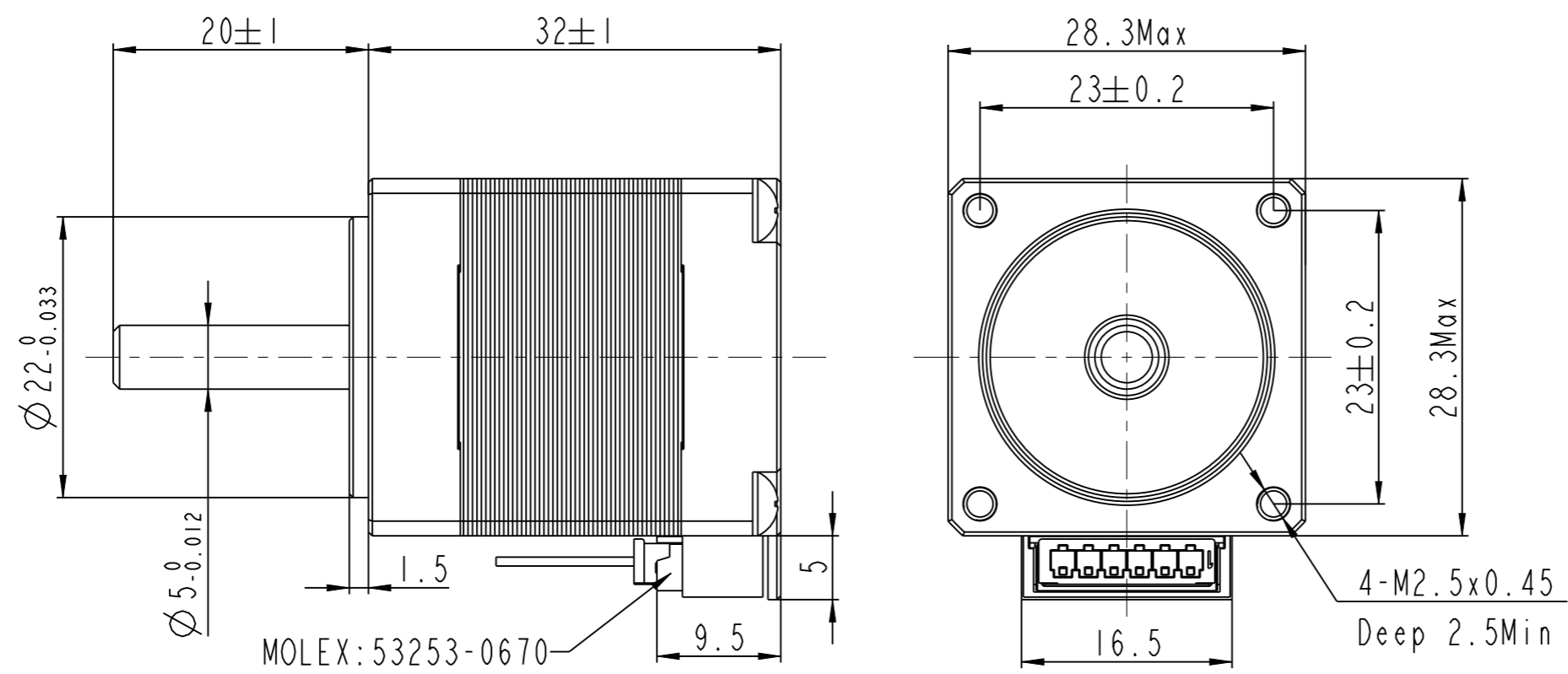
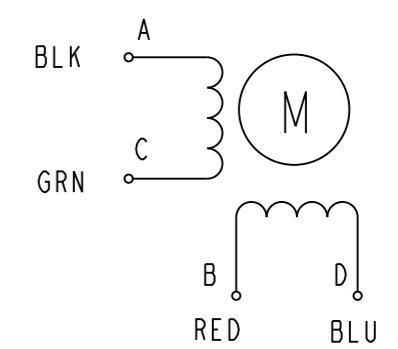


REV	ECN	NO	DESCRIPTION	DRN	APP'D	DATE



- PIN1 BLACK(黑)
- PIN2 /
- PIN3 GREEN(绿)
- PIN4 RED(红)
- PIN5 /
- PIN6 BLUE(蓝)

Wiring Diagram (接线图)

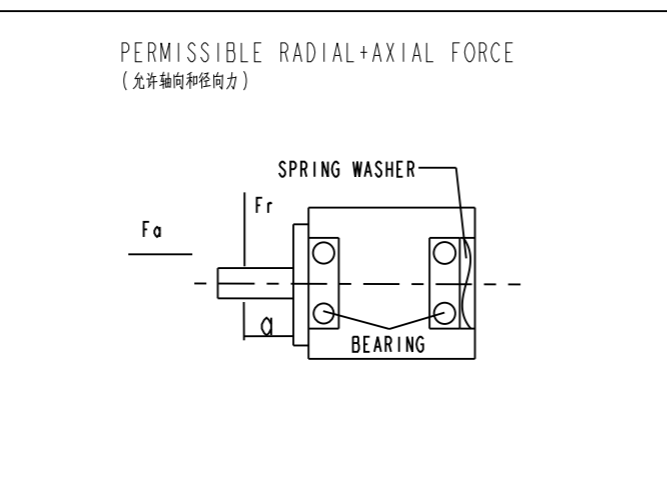


Exciting Sequence (励磁顺序)

CW DIRECTION	STEP	A	C	B	D
↓	1	+		+	
	2		+	+	
	3		+		+
	4	+			+
	1	+		+	

CW see from the flange side (顺时针, 从法兰侧看)

STEP ANGLE	步距角	1.8°/full step(整步)
STEP ANGLE ACCURACY	步距角精度	±5%
NUMBER OF PHASE	绕组相数	2
RATED VOLTAGE	额定电压	3.75 VDC
RATED CURRENT	额定电流	0.67 A
RESISTANCE/PHASE	每相电阻	5.6±10% OHMS@20°C
INDUCTANCE/PHASE	每相电感	4.0±20% mH@1kHz
HOLDING TORQUE	保持转矩	650 g.cm
PULL OUT TORQUE	运行转矩	/
BACK EMF	反电动势	/
DETENT TORQUE	定位转矩	/
ROTOR INERTIA	转子转动惯量	9.0g.cm ²
WEIGHT	重量	110 g
TEMPERATURE RISE	温升	less than 80K(小于80°)
SOURCE VOLTAGE	驱动器电压	24 VDC
INSULATION CLASS	绝缘等级	B 130°C
DIELECTRIC STRENG	介电强度	500VAC 1MIN
INSULATION RESIST	绝缘电阻	100MOhm @500VDC
IP CODE	防护等级	IP30
OPERATION AMBIENT	使用环境	Ambient temperature: -20...+50°C, humidity Max.85%(No condensation)
STORAGE AMBIENT	存储环境	Ambient temperature: -20...+85°C, humidity Max.85%(No condensation)



AXIAL-FORCE	轴向压力	Fa=7N Max
DISTANCE	距离	a=5mm
RADIAL-FORCE	径向压力	Fr=28N Max
SHAFT RADIAL PLAY	径向间隙	0.02mm Max. @4N
SHAFT AXIAL PLAY	轴向间隙	0.08mm Max. @4N

REV	ECN NO.	DESCRIPTION	DESIGN	DATE	P/N.
					3.1.01.028.
UNLESS OTHERWISE SPECIFIED TOLERANCES:		MATERIAL	CONTR.	CHECK	TITLE
DECIMALS: .X ±0.5 .XX ±0.25 .XXX ±0.1					Specifications
ANGULAR: ±0°30'					USED ON
UNIT: mm					FL28STC32-0674A
DO NOT SCALE DRAWING		FIRST ANGLE PROJECTION	SCALE 2:1		DWG NO.
			SHEET 1 OF 1		REV A
					FULLING MOTOR