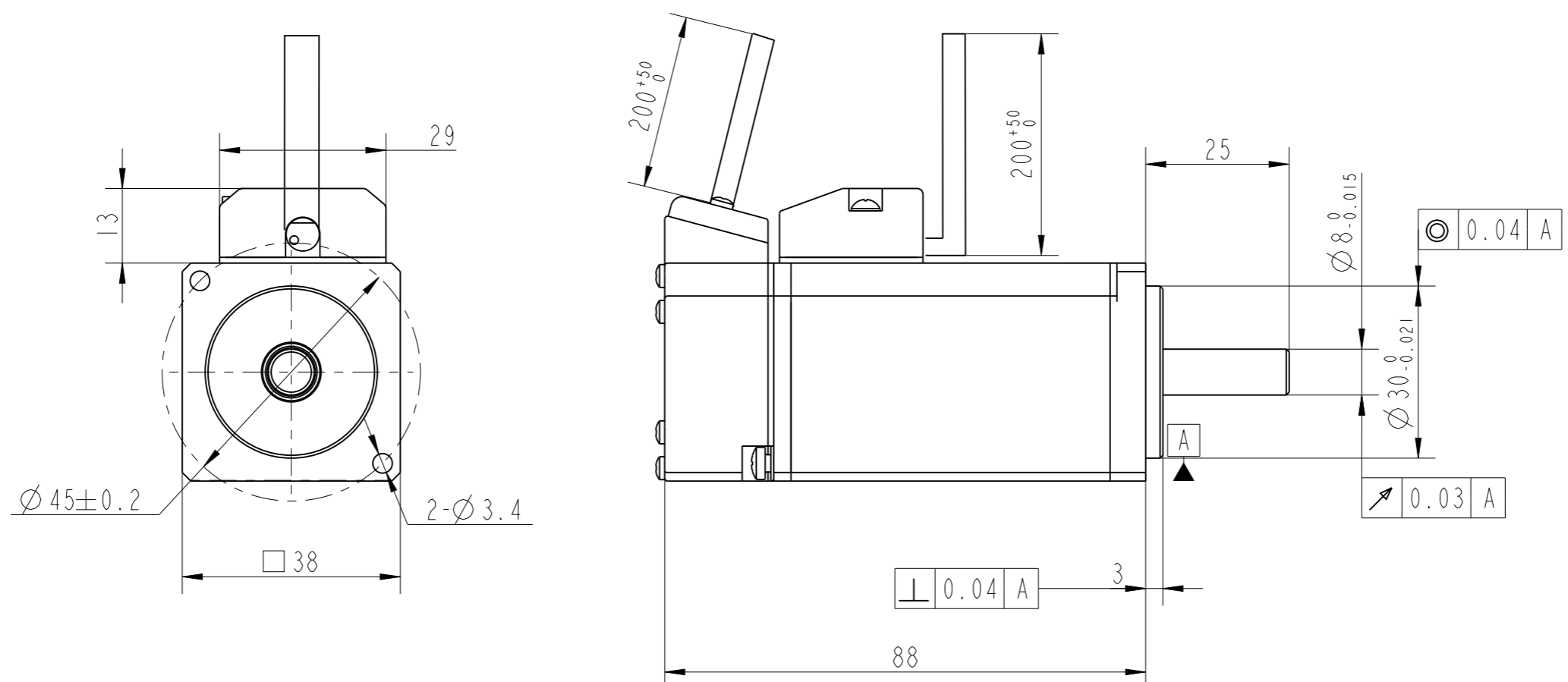


REV	ECN	NO	DESCRIPTION	DRN	APP'D	DATE



NOMINAL VOLTAGE	额定电压	300VDC	
RATED CURRENT	额定电流	1.1A	
RATED POWER	额定功率	100 W	
RATED TORQUE	额定转矩	0.32 N.m	
RATED SPEED	额定转速	3000 RPM	
MAXIMUM SPEED	最大转速	6000 RPM	
PEAK TORQUE	峰值转矩	0.96 N.m	Wires for Phases ULI430 AWG22
PEAK CURRENT	峰值电流	3.3 A	PHASE U
LINE TO LINE RESISTANCE	线电阻	14 \pm 10% ohms @20	PHASE V
LINE TO LINE INDUCTANCE	线电感	9.1 mH@1kHz	PHASE W
BACK EMF CONSTANT	反电势常数	18 Vrms/krpm	Wires for encoder ULI430 AWG26
TORQUE CONSTANT	转矩常数	0.32 N.m/A	
ELECTRICAL TIME CONSTANT	电气时间常数	0.65 ms	
MECHANICAL TIME CONSTANT	机械时间常数	1.1 ms	
ROTOR INERTIA	转子转动惯量	0.04 kg.cm ²	
POLE NUMBER	极数	10	
FEEDBACK DEVICE	传感器	2500ppr光电编码器(增量式)	
INSULATION CLASS	绝缘等级	B 130°C	
PROTECTION LEVEL	防护等级	IP65 (without shaft end)	AXIAL-FORCE 轴向压力 Fa=60N Max
WEIGHT	重量	0.5KG	RADIAL-FORCE 径向压力 Fr=120N Max
OPERATION AMBIENT	使用环境	Ambient temperature: -25...+40°C, humidity Max.85%(No condensation)	
STORAGE AMBIENT	存储环境	Ambient temperature: -20...+60°C, humidity Max.85%(No condensation)	

REV	ECN NO.	DESCRIPTION	DESIGN	DATE	P/N.	TITLE
A					3.1.07.038.***	38伺服电机
UNLESS OTHERWISE SPECIFIED TOLERANCES:		MATERIAL	CONTR.	CHECK	USED ON	FL38SV36
DECIMALS: .X \pm 0.5 .XX \pm 0.25 .XXX \pm 0.1		ANGULAR: \pm 0°30'		APPD	DWG NO.	REV A
UNIT: mm		FIRST ANGLE PROJECTION		SCALE 1:1	FULLING MOTOR	
DO NOT SCALE DRAWING				SHEET 1 OF 2		