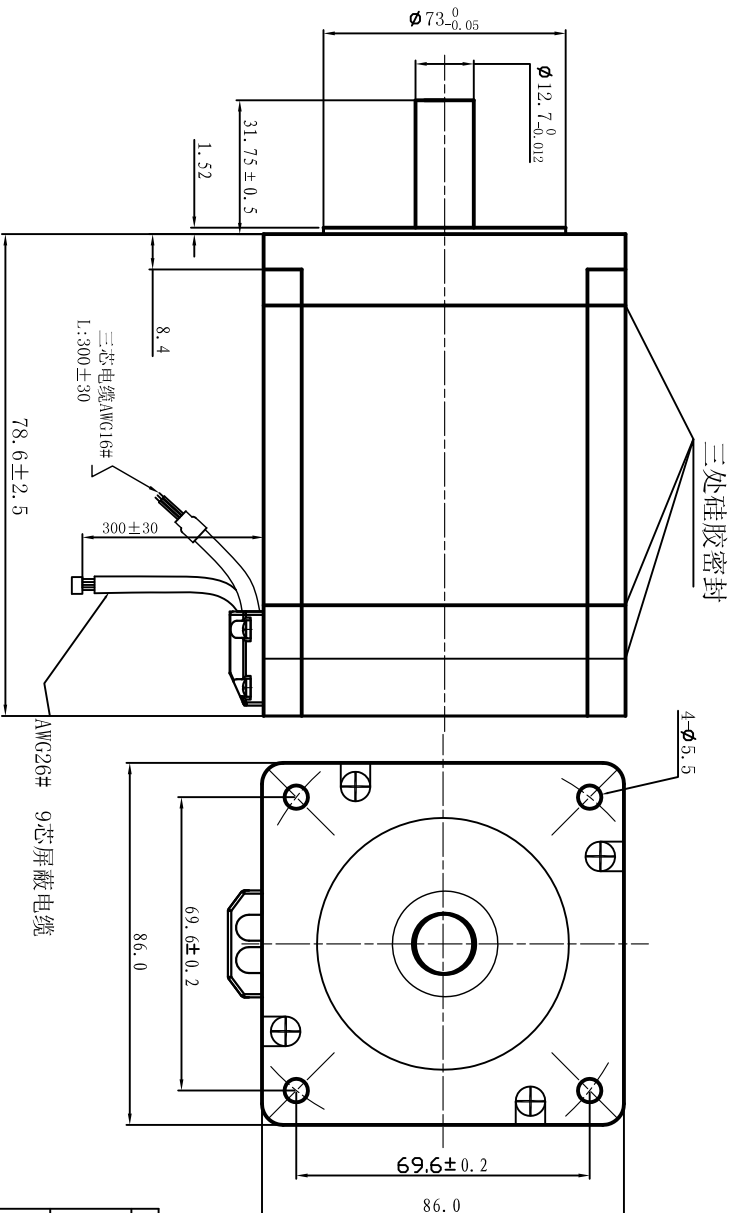
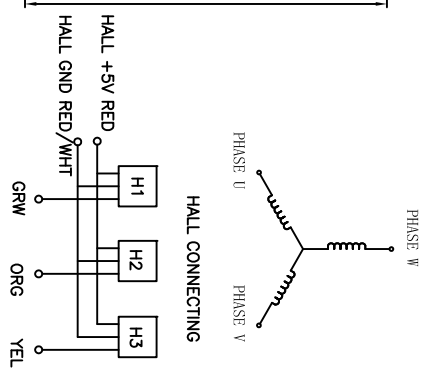
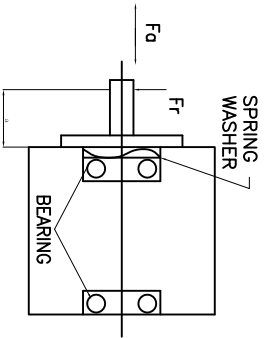


THREE-PHASE CONNECTING



| 插件件型号 | pin序 | 引出线颜色 | 信号定义 |
|------------------------|------|-------|-----------|
| AMP1-172167 -9 4芯公插 | pin1 | 黄色 | U相 |
| | pin2 | 红色 | V相 |
| | pin3 | 黑色 | W相 |
| | pin1 | 红白色 | GND |
| AMP1-172169 -9 9芯公插 | pin2 | 红色 | Vcc (+5V) |
| | pin3 | 蓝色 | EA- |
| | pin4 | 蓝黑色 | EA+ |
| | pin5 | 黑色 | EB- |
| | pin6 | 黑白色 | EB+ |
| | pin7 | 棕色 | HA |
| | pin8 | 橙色 | HB |
| | pin9 | 黄色 | HC |

PERMISSIBLE RADIAL+AXIAL FORCE



| | | |
|-------------------------|--------|---|
| NUMBER OF PHASE | 绕组相数 | 3 |
| NUMBER OF POLES | 极数 | 8 |
| LINE TO LINE RESISTANCE | 线电阻 | 0.92±15% ohms@20°C |
| LINE TO LINE INDUCTANCE | 线电感 | 2.58±15% mH@1KHz |
| NOMINAL VOLTAGE | 额定电压 | 48 VDC |
| NO LOAD SPEED | 空载转速 | 3600RPM±10% |
| NO LOAD CURRENT | 空载电流 | 0.56A±20% |
| RATED TORQUE | 额定转矩 | 0.35N.m |
| RATED SPEED | 额定转速 | 3000RPM±10% |
| RATED CURRENT | 额定电流 | 2.8 A |
| PEAK TORQUE | 峰值转矩 | 1.05N.m |
| PEAK CURRENT | 峰值电流 | 8.4 A |
| BACK EMF CONSTANT | 反电势常数 | 9.4Vrms/kRPM±10% |
| TORQUE CONSTANT | 转矩常数 | 0.127N.m/A |
| INSULATION CLASS | 绝缘等级 | B 130°C |
| DIELECTRIC STRENGTH | 介电强度 | 500VAC 1MIN |
| INSULATION RESISTANCE | 绝缘电阻 | 100MΩm @500VDC |
| ROTOR INERTIA | 转子转动惯量 | 400 g.cm ² |
| WEIGHT | 重量 | 1.6kg |
| OPERATION AMBIENT | 使用环境 | Ambient temperature:-20...+50°C, humidity Max. 85%(No condensation) |
| STORAGE AMBIENT | 存储环境 | Ambient temperature:-20...+85°C, humidity Max. 85%(No condensation) |

| | | |
|-------------------|------|-------------------|
| AXIAL-FORCE | 轴向压力 | Fo=220 N Max. |
| DISTANCE | 距离 | q=20 mm |
| RADIAL-FORCE | 径向压力 | Ft=60 N Max. |
| SHAFT RADIAL PLAY | 径向间隙 | 0.02mm Max. @450g |
| SHAFT AXIAL PLAY | 轴向间隙 | 0.08mm Max. @450g |

| | | | | | |
|----------------------------|---------|------------------------|---------|-----------|----------------|
| REV | ECN NO. | DESCRIPTION | DESIGN | DATE | P/N |
| UNLESS OTHERWISE SPECIFIED | | TOLERANCES | CHECK | | 3.1.07.0** |
| DECIMALS: | | ANGULAR: | USED ON | TITLE | Specifications |
| .X ±0.5 | | ±0° 30' | APPD | FL86SVA01 | |
| .XXX ±0.25 | | | DWG NO. | REV | A |
| .XXX ±0.1 | | | SCALE | | |
| DO NOT SCALE DRAWING | | FIRST ANGLE PROJECTION | SHEET | OF | PULLING MOTOR |