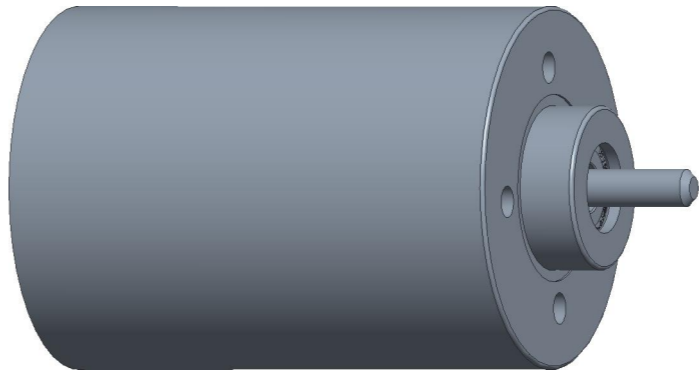
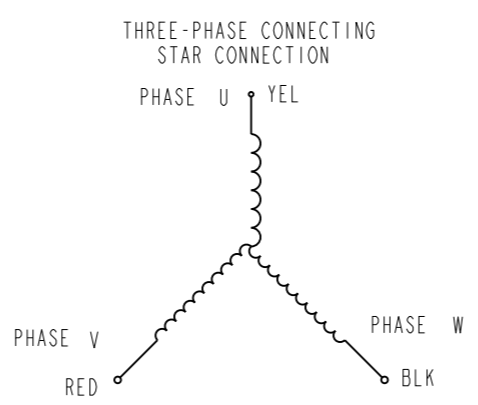
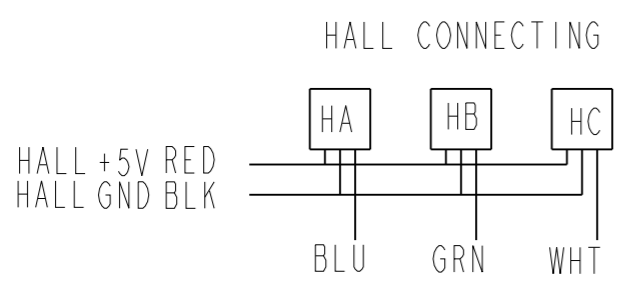
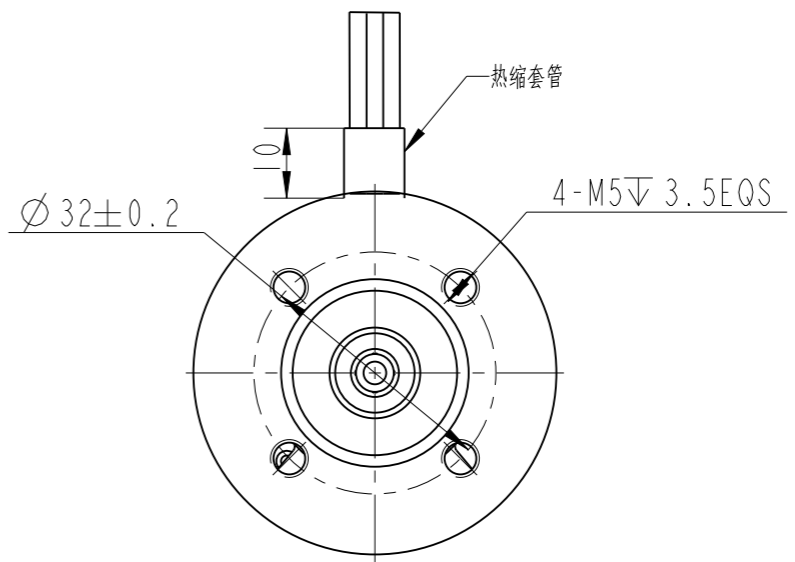
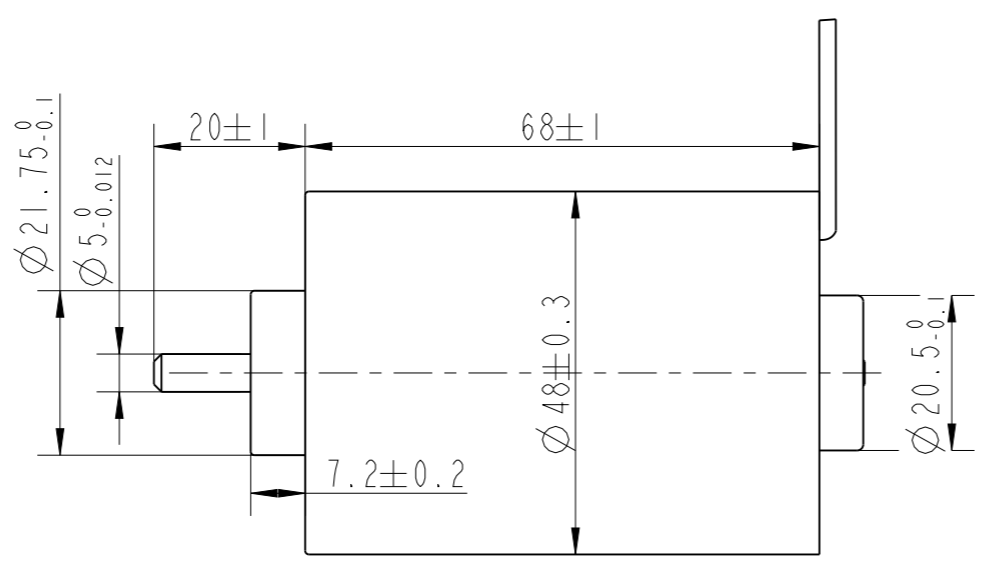
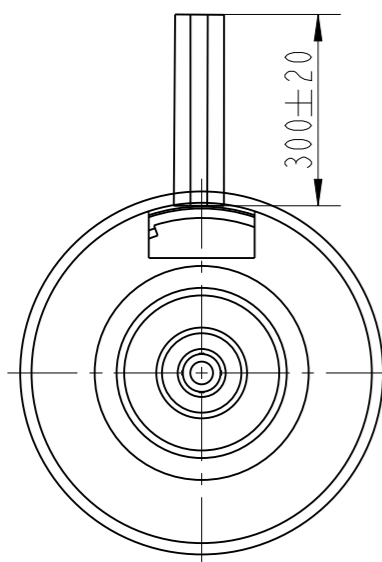


REV	ECN	NO	DESCRIPTION	DRN	APP'D	DATE



NUMBER OF PHASE	绕组相数	3	Wires for Phases UL1430 AWG20				
NUMBER OF POLES	极数	10	Phase U	Phase V	Phase W		
LINE TO LINE RESISTANCE	线电阻	0.7±10% ohms@20°C	YEL	RED	BLK		
LINE TO LINE INDUCTANCE	线电感	0.7±20% mH@1kHz	Wires for Phases UL1430 AWG26				
NOMINAL VOLTAGE	额定电压	24 VDC	HALL Vcc	Hu	Hv	Hw	HALL GND
NO LOAD SPEED	空载转速	4000±10% RPM	RED	BLU	GRN	WHT	BLK
NO LOAD CURRENT	空载电流	0.5 A	PERMISSIBLE RADIAL+AXIAL FORCE				
RATED TORQUE	额定转矩	0.18 N.m					
RATED SPEED	额定转速	3000±10% RPM					
RATED CURRENT	额定电流	3 A					
PEAK TORQUE	峰值转矩	0.30 mN.m					
PEAK CURRENT	峰值电流	5 A					
BACK EMF CONSTANT	反电势常数	4.3±10%Vrms/kRPM					
TORQUE CONSTANT	转矩常数	58±10% mN.m/A					
INSULATION CLASS	绝缘等级	B 130°C					
DIELECTRIC STRENG	介电强度	650VAC ISEC					
INSULATION RESIST	绝缘电阻	100MΩm @500VDC	DISTANCE	距离	a=10 mm		
ROTOR INERTIA	转子转动惯量	TBDg.cm ²	RADIAL-FORCE	径向压力	Fr=28 N Max		
WEIGHT	重量	TBDkg	SHAFT RADIAL PLAY	径向间隙	0.02mm Max.@4N		
OPERATION AMBIENT	使用环境	Ambient temperature:-20...+50°C, humidity Max.85%(No condensation)					
STORAGE AMBIENT	存储环境	Ambient temperature:-10...+85°C, humidity Max.85%(No condensation)					

REV	ECN	NO	DESCRIPTION	DESIGN	DATE	P/N.	TITLE
A						3.1.02.048.	specification
UNLESS OTHERWISE SPECIFIED TOLERANCES:			MATERIAL	CONTR.	CHECK	USED ON	FL48CBL68-24V-3060A
DECIMALS: .X ±0.5 .XX ±0.25 .XXX ±0.1			FIRST ANGLE PROJECTION		APPD	DWG NO.	REV A
ANGULAR: ±0°30'			DO NOT SCALE DRAWING		SCALE 1:1	FULLING MOTOR	
					SHEET 1 OF 1		