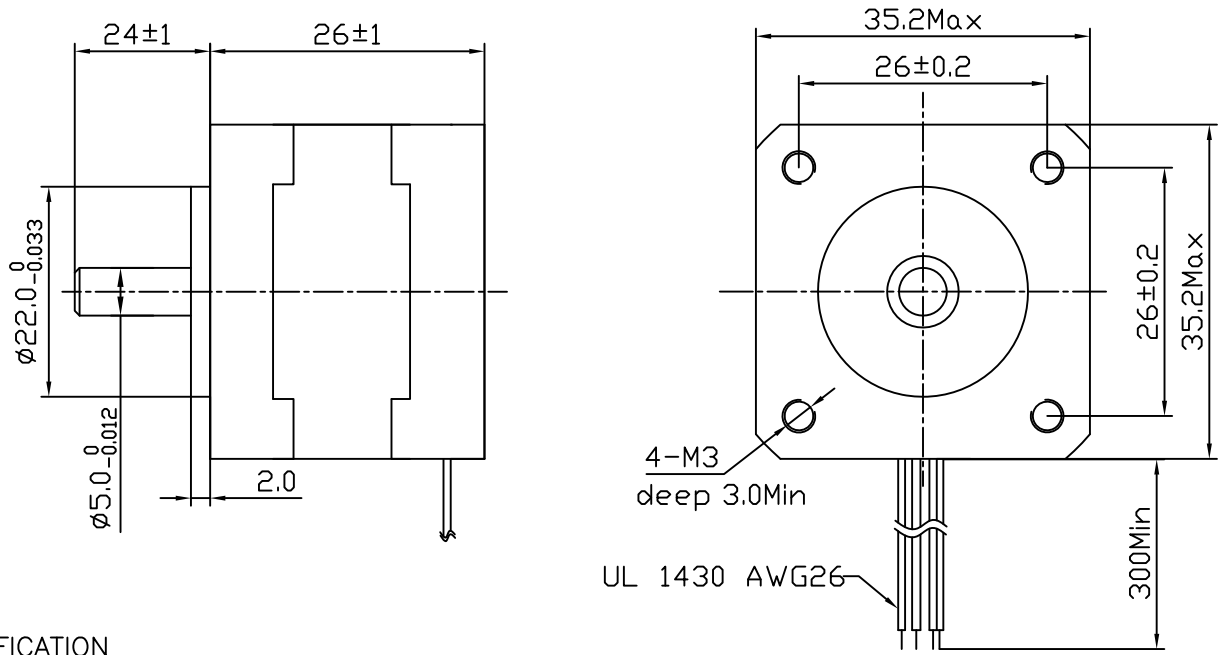
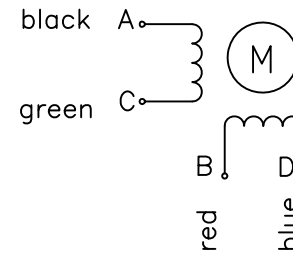


REV	ECN NO.	DESCRIPTION	DRN	APP'D	DATE



Wiring Diagram



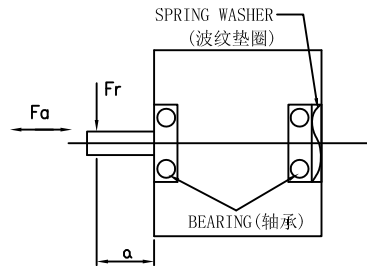
CW DIRECTION	STEP	A	C	B	D
↓	1	+		+	
	2		+	+	
	3		+		+
	4	+			+
	1	+		+	

CW see from the flange side

SPECIFICATION

STEP ANGLE	步距角	0.9°/full step (整步)
STEP ANGLE ACCURACY	步距角精度	±5%
NUMBER OF PHASE	绕组相数	2
RATED VOLTAGE	额定电压	3.05 VDC
RATED CURRENT	额定电流	0.5 A
RESISTANCE/PHASE	每相电阻	6.1±10% ohms@20°C
INDUCTANCE/PHASE	每相电感	6.9±20% mH@1kHz
HOLDING TORQUE	保持转矩	900 g.cm
PULL OUT TORQUE	运行转矩	
BACK EMF	反电动势	
DETENT TORQUE	定位转矩	
ROTOR INERTIA	转子转动惯量	11 g.cm ²
WEIGHT	重量	110 g
TEMPERATURE RISE	温升	Less than 80K
SOURCE VOLTAGE	驱动器电压	24 VDC
INSULATION CLASS	绝缘等级	B 130°C
DIELECTRIC STRENGTH	介电强度	500VAC 1MIN
INSULATION RESISTANCE	绝缘电阻	100MOhm @500VDC
IP CODE	防护等级	IP30
OPERATION AMBIENT	使用环境	Ambient temperature:-20...+50°C, humidity Max. 85%(No condensation)
STORAGE AMBIENT	存储环境	Ambient temperature:-20...+85°C, humidity Max. 85%(No condensation)

PERMISSIBLE RADIAL+AXIAL FORCE
(允许的轴向和径向力)



AXIAL-FORCE	轴向压力	Fa=10N Max.
DISTANCE	距离	a=20mm
RADIAL-FORCE	径向压力	Fr=28N Max.
SHAFT RADIAL PLAY	径向间隙	0.02mm Max. @4N
SHAFT AXIAL PLAY	轴向间隙	0.08mm Max. @4N

REV	ECN NO.	DESCRIPTION	DRN	APP'D	DATE	DESIGN	DATE	P/N.	3.1.01.035.
UNLESS OTHERWISE SPECIFIED TOLERANCES						MATERIAL	CONTR.	CHECK	TITLE
DECIMALS: .x ±0.5									Specifications
ANGULAR: .xx ±0.25 ±0°30'									USED ON
.xxx ±0.1									FL35ST26-0504MA
UNIT: mm									DWG NO.
DO NOT SCALE DRAWING						FIRST ANGLE PROJECTION	SCALE NTS		REV
							SHEET OF		FULLING MOTOR