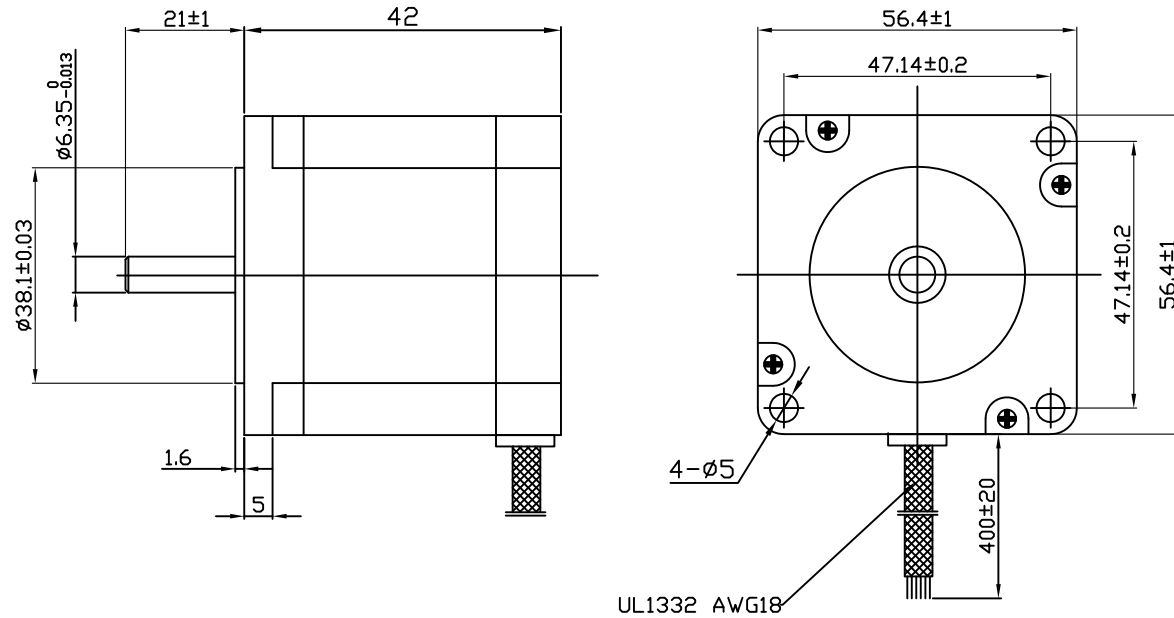
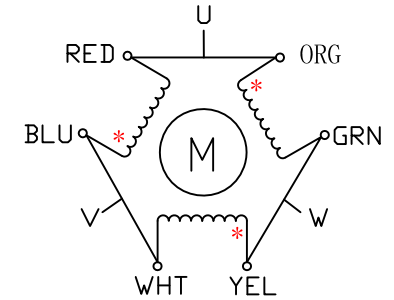


REV	ECN NO.	DESCRIPTION	DRN	APP'D	DATE



Wiring Diagram



CCW see from the flange side

SPECIFICATION

STEP ANGLE	步距角	1.2°/full step (整步)	PERMISSIBLE RADIAL+AXIAL FORCE (允许的轴向和径向力)
STEP ANGLE ACCURACY	步距角精度	±5%	
NUMBER OF PHASE	绕组相数	3	
RATED VOLTAGE	额定电压	6.76 VDC	
RATED CURRENT	额定电流	5.2 A	
RESISTANCE/PHASE	每相电阻	1.3±10% ohms@20°C	
INDUCTANCE/PHASE	每相电感	1.4±20% mH@1kHz	
HOLDING TORQUE	保持转矩	0.45 N.m	
PULL OUT TORQUE	运行转矩		
BACK EMF	反电动势		
DETENT TORQUE	定位转矩		
ROTOR INERTIA	转子转动惯量	110g.cm ²	
WEIGHT	重量	450 g	
TEMPERATURE RISE	温升	Less than 80K	AXIAL-FORCE 轴向压力 Fa=15N Max.
SOURCE VOLTAGE	驱动器电压	N/A	DISTANCE 距离 a=20mm
INSULATION CLASS	绝缘等级	B 130°C	RADIAL-FORCE 径向压力 Fr=20N Max.
DIELECTRIC STRENGTH	介电强度	900VAC 1S	
INSULATION RESISTANCE	绝缘电阻	100MΩ @ 500VDC	SHAFT RADIAL PLAY 径向间隙 0.02mm Max. @4N
IP CODE	防护等级	N/A	SHAFT AXIAL PLAY 轴向间隙 0.08mm Max. @4N
OPERATION AMBIENT	使用环境	Ambient temperature:-20...+50°C,humidity Max. 85%(No condensation)	
STORAGE AMBIENT	存储环境	Ambient temperature:-20...+85°C,humidity Max. 85%(No condensation)	

DESIGN	DATE	P/N.	3.1.01.057.xxxx
UNLESS OTHERWISE SPECIFIED TOLERANCES		TITLE	Specifications
DECIMALS:	ANGULAR:	USED ON	FL573P42-5206A
.x ±0.5	±0°30'	DWG NO.	REV A
.xx ±0.25		FULLING MOTOR	
.xxx ±0.1			
UNIT: mm			
DO NOT SCALE DRAWING			
MATERIAL	CONTR.	SCALE	NTS
		SHEET	OF