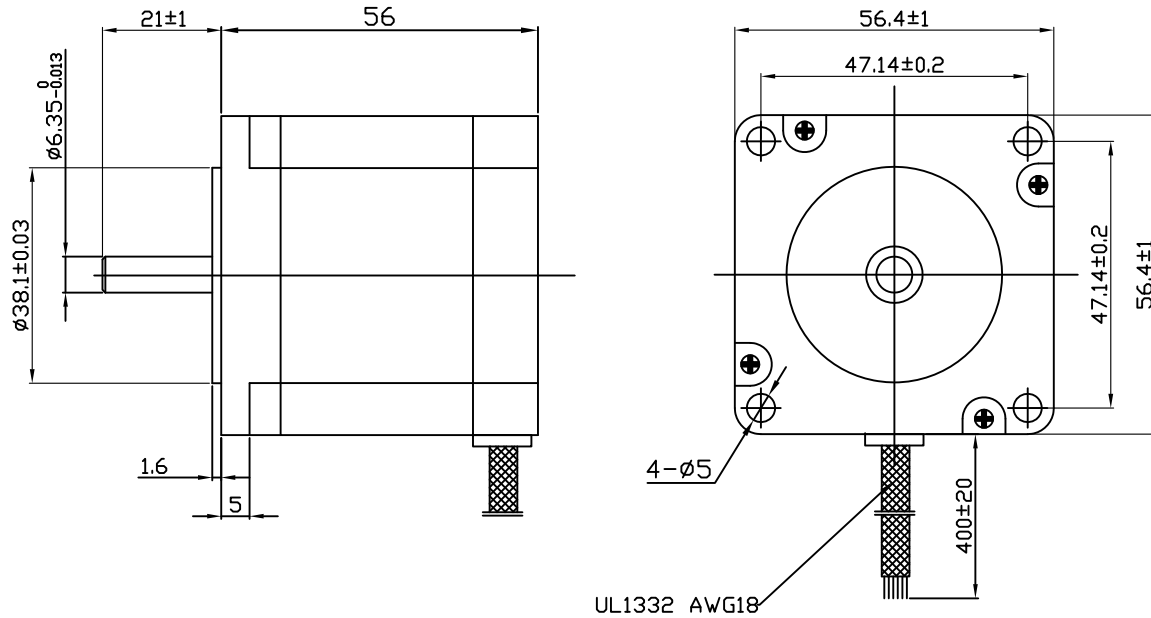
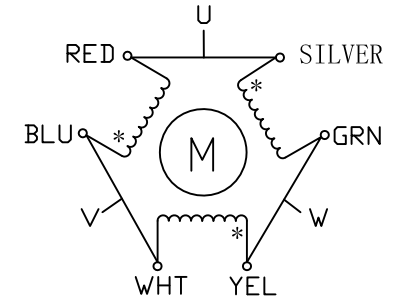


REV	ECN NO.	DESCRIPTION	DRN	APP'D	DATE



Wiring Diagram

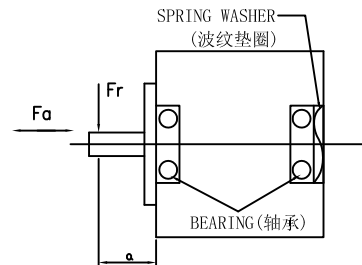


CCW see from the flange side

SPECIFICATION

STEP ANGLE	步距角	1.2°/full step (整步)
STEP ANGLE ACCURACY	步距角精度	±5%
NUMBER OF PHASE	绕组相数	3
RATED VOLTAGE	额定电压	3.92 VDC
RATED CURRENT	额定电流	5.6 A
RESISTANCE/PHASE	每相电阻	0.7±10% ohms@20°C
INDUCTANCE/PHASE	每相电感	1.7±20% mH@1kHz
HOLDING TORQUE	保持转矩	0.9 N.m
PULL OUT TORQUE	运行转矩	
BACK EMF	反电动势	
DETENT TORQUE	定位转矩	
ROTOR INERTIA	转子转动惯量	300 g.cm ²
WEIGHT	重量	750 g
TEMPERATURE RISE	温升	Less than 80K
SOURCE VOLTAGE	驱动器电压	N/A
INSULATION CLASS	绝缘等级	B 130°C
DIELECTRIC STRENGTH	介电强度	900VAC 1S
INSULATION RESISTANCE	绝缘电阻	100MΩ @500VDC
IP CODE	防护等级	N/A
OPERATION AMBIENT	使用环境	Ambient temperature:-20...+50°C, humidity Max. 85%(No condensation)
STORAGE AMBIENT	存储环境	Ambient temperature:-20...+85°C, humidity Max. 85%(No condensation)

PERMISSIBLE RADIAL+AXIAL FORCE
(允许的轴向和径向力)



DESIGN	DATE	P/N.	3.1.01.057.xxxx
TITLE	Specifications		
USED ON	FL573P56-5606A		
DWG NO.		REV	A
FULLING MOTOR			

UNLESS OTHERWISE SPECIFIED TOLERANCES	MATERIAL	CONTR.	CHECK
DECIMALS: .x ±0.5			
.xx ±0.25			
.xxx ±0.1			
UNIT: mm			
DO NOT SCALE DRAWING			

FIRST ANGLE PROJECTION	SCALE	NTS
	SHEET	OF