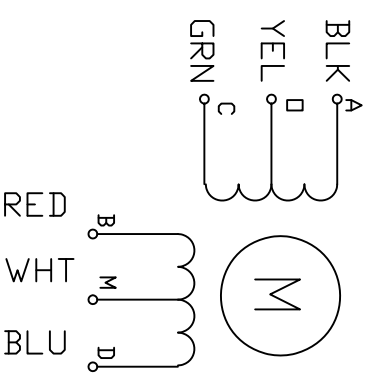


REV	REV NO.	DESCRIPTION	DRN	APP'D	DATE

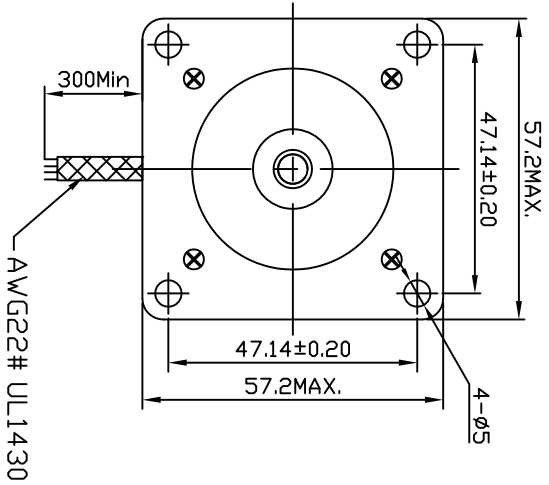
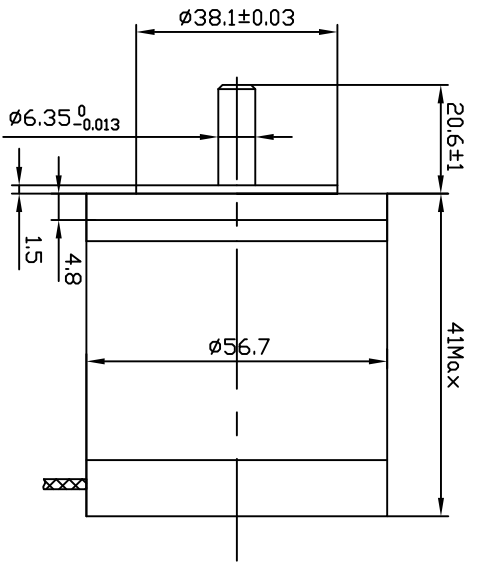
Wiring Diagram (接线图)



Exciting Sequence (励磁顺序)

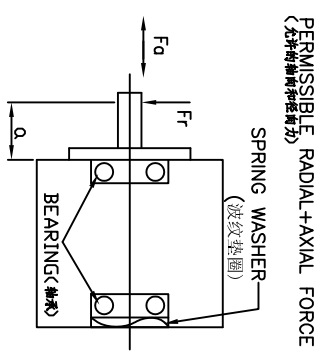
CW DIRECTION	STEP	A	C	B	D	O	M
↑	1	+		+		+	+
	2		+		+		+
	3			+		+	+
	4	+			+		+

CW see from flange side
(顺时针, 从法兰侧看)



SPECIFICATION

STEP ANGLE	步距角	1.8°/full step(步距)
STEP ANGLE ACCURACY	步距角精度	±5%
NUMBER OF PHASE	绕组相数	2
RATED VOLTAGE	额定电压	4 VDC
RATED CURRENT	额定电流	1.1 A
RESISTANCE/PHASE	每相电阻	3.6±10% ohms@20°C
INDUCTANCE/PHASE	每相电感	4.0±20% mH@1kHz
HOLDING TORQUE	保持转矩	28 N.cm
PULL OUT TORQUE	运行转矩	N.cm@ RPM
BACK EMF	反电动势	V @300RPM
DETENT TORQUE	定位转矩	N.cm
ROTOR INERTIA	转子转动惯量	57 g.cm ²
WEIGHT	重量	0.54Kg
TEMPERATURE RISE	温升	Less than 80K(ΔT80步)
SOURCE VOLTAGE	驱动器电压	24 VDC
INSULATION CLASS	绝缘等级	B 130°C
DIELECTRIC STRENGTH	介电强度	500VAC 1MIN
INSULATION RESISTANCE	绝缘电阻	100MΩm @500VDC
IP CODE	防护等级	IP30
OPERATION AMBIENT	使用环境	Ambient temperature:-25...+40°C,humidity Max. 85%(No condensation)
STORAGE AMBIENT	存储环境	Ambient temperature:-10...+35°C,humidity Max. 85%(No condensation)



PN号	名称	数量	单位	备注	PN号	名称	数量	单位	备注

UNLESS OTHERWISE SPECIFIED TOLERANCES:

DECIMALS: ±0.5

ANGULAR: ±0°30'

FIRST ANGLE PROJECTION

SCALE OF SHEET

DESIGN CHECK APPD

DATE

TITLE Specifications USED ON DWG NO. REV

FULLING MOTOR