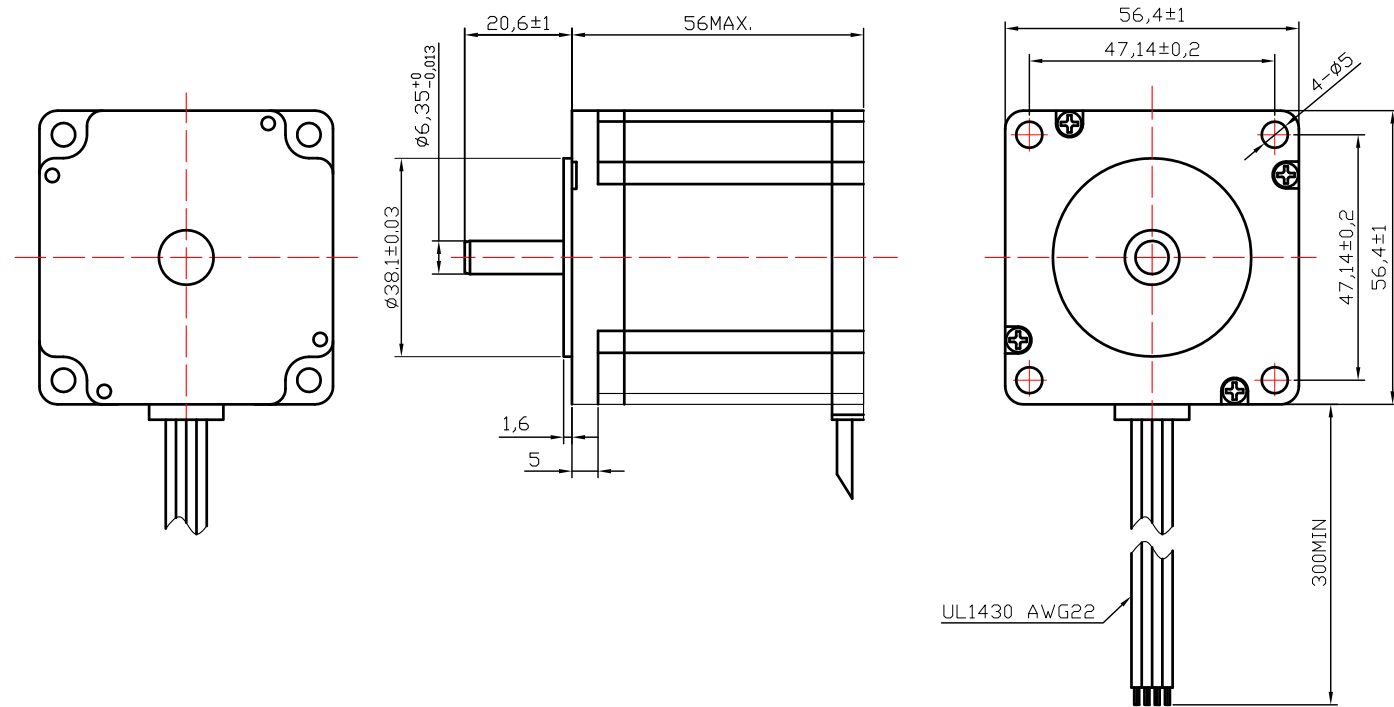
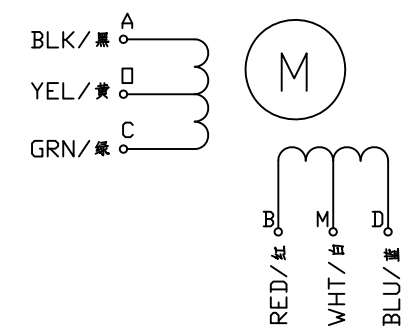


REV	ECN NO.	DESCRIPTION	DRN	APP'D	DATE



WIRING DIAGRAM/ 接线图



Exciting Sequence (励磁顺序)

CW DIRECTION	STEP	A	C	B	D	O	M
↓	1	+		+		+	+
	2		+	+		+	+
	3				+	+	+
	4	+			+	+	+
	1	+		+		+	+

CW, see from flange side  
(顺时针, 从法兰侧看)

SPECIFICATION

STEP ANGLE	步距角	1.8°/full step(整步)	PERMISSIBLE RADIAL+AXIAL FORCE (允许的轴向和径向力)
STEP ANGLE ACCURACY	步距角精度	±5%	
NUMBER OF PHASE	绕组相数	2	
RATED VOLTAGE	额定电压	3.6 VDC	
RATED CURRENT	额定电流	2.0 A	
RESISTANCE/PHASE	每相电阻	1.8±10% ohms@20°C	
INDUCTANCE/PHASE	每相电感	2.5±20% mH@1kHz	
HOLDING TORQUE	保持转矩	0.9 N.m	
PULL OUT TORQUE	运行转矩	N/A	
BACK EMF	反电动势	V @300RPM	
DETENT TORQUE	定位转矩	N.cm	
ROTOR INERTIA	转子转动惯量	300 g.cm <sup>2</sup>	
WEIGHT	重量	0.7 Kg	
TEMPERATURE RISE	温升	Less than 80K(小于80度)	AXIAL-FORCE 轴向压力 Fa=15 N Max.
SOURCE VOLTAGE	驱动器电压	N/A	DISTANCE 距离 a=20 mm
INSULATION CLASS	绝缘等级	B 130°C	RADIAL-FORCE 径向压力 Fr=75 N Max.
DIELECTRIC STRENGTH	介电强度	600VAC 1MIN	
INSULATION RESISTANCE	绝缘电阻	100MOhm @500VDC	SHAFT RADIAL PLAY 径向间隙 0.02mm Max. @4N
IP CODE	防护等级	N/A	SHAFT AXIAL PLAY 轴向间隙 0.08mm Max. @4N
OPERATION AMBIENT	使用环境	Ambient temperature:-20...+50°C,humidity Max. 85%(No condensation)	
STORAGE AMBIENT	存储环境	Ambient temperature:-10...+35°C,humidity Max. 85%(No condensation)	

REV	ECN NO.	DESCRIPTION	DRN	APP'D	DATE	DESIGN	DATE	P/N.	3.1.01.057.XXXX
UNLESS OTHERWISE SPECIFIED TOLERANCES						MATERIAL	CONTR.	CHECK	TITLE
DECIMALS: .x ±0.5									Specifications
ANGULAR: .xx ±0.25 ±0°30'									USED ON
.xxx ±0.1									FL57STH56-2006A
UNIT: mm									DWG NO.
DO NOT SCALE DRAWING						FIRST ANGLE PROJECTION	SCALE 1:1		REV
							SHEET OF		A
								FULLING MOTOR	