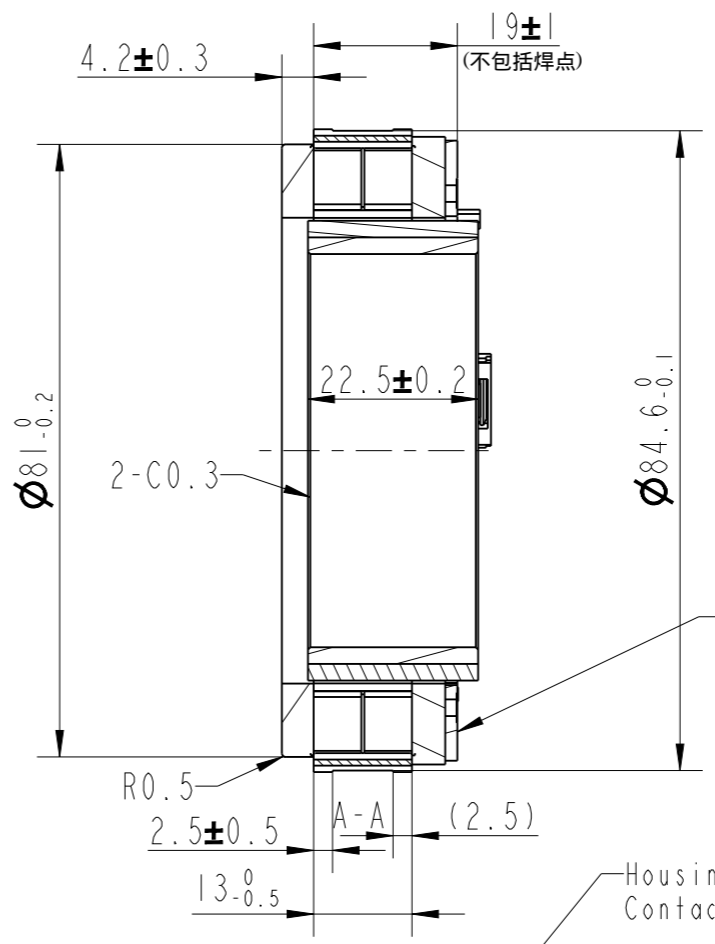
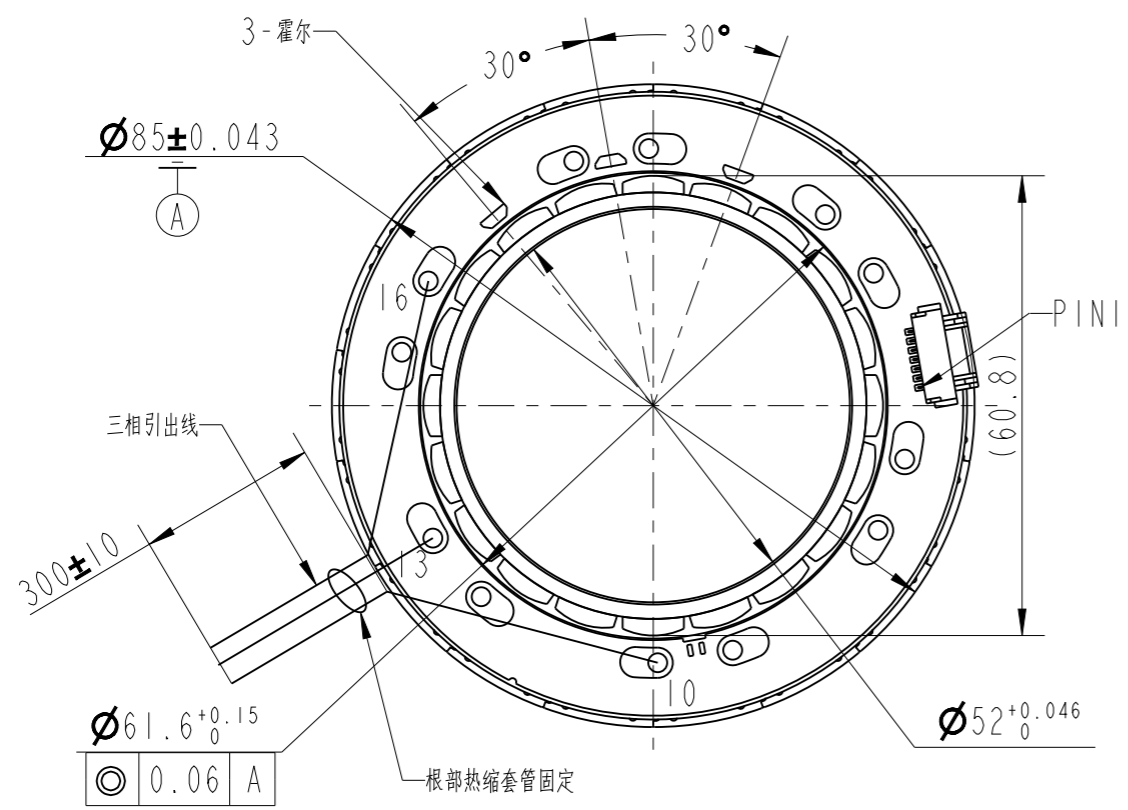
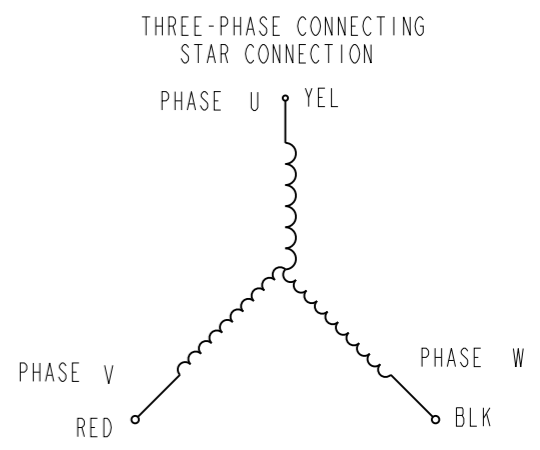
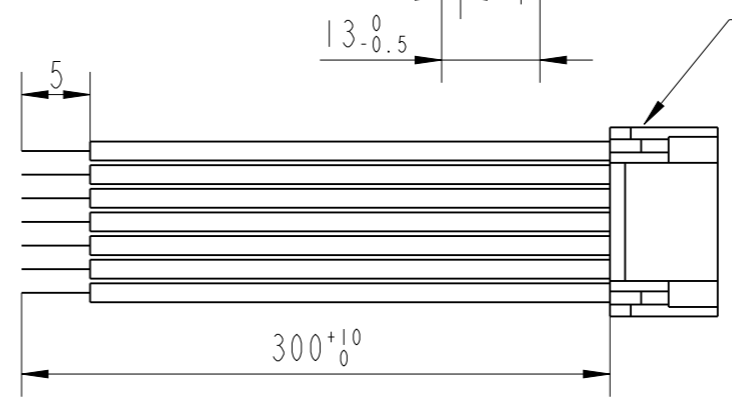
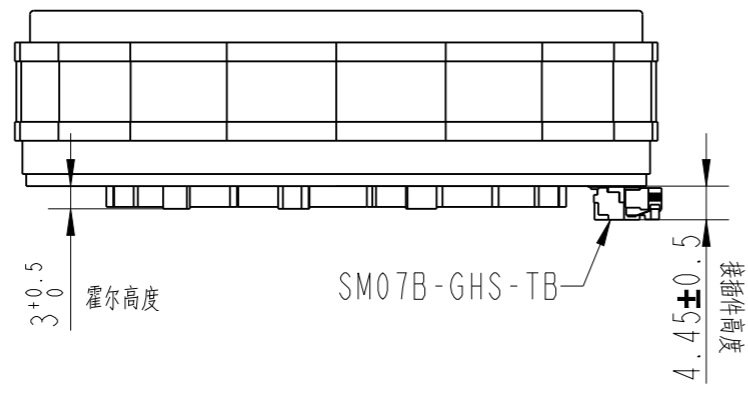


热敏型号: LTS00-104J395J21D005

REV	ECN	NO	DESCRIPTION	DRN	APP'D	DATE



PIN1	NTC2
PIN2	NTC1
PIN3	GND
PIN4	Ha
PIN5	Hb
PIN6	Hc
PIN7	Vcc



NUMBER OF PHASE	绕组相数	3	Wires for Phases UL1332 AWG18		
NUMBER OF POLES	极数	20	PHASE U	PHASE V	PHASE W
LINE TO LINE RESISTANCE	线电阻	0.23±10% ohms@20°C	YEL	RED	BLK
LINE TO LINE INDUCTANCE	线电感	0.3±20% mH@1kHz	Wires for Hall UL1061 AWG26		
NOMINAL VOLTAGE	额定电压	48 VDC	HALL Vc	Hu	Hv
NO LOAD SPEED	空载转速	3700±10% RPM	RED	BLU	GRN
NO LOAD CURRENT	空载电流	0.6 A (REF)	Hw	Hw	Hw
RATED TORQUE	额定转矩	1.2N.m	HALL Gnd	WHT	BLK
RATED SPEED	额定转速	2950 RPM	NTC1	NTC2	
RATED CURRENT	额定电流	8.6 A	YEL	BRN	
PEAK TORQUE	峰值转矩	3.6 N.m	PERMISSIBLE RADIAL+AXIAL FORCE		
PEAK CURRENT	峰值电流	25.8 A			
BACK EMF CONSTANT	反电势常数	9.06 Vrms/kRPM			
TORQUE CONSTANT	转矩常数	150 mN.m/A			
INSULATION CLASS	绝缘等级	B 130°C	AXIAL-FORCE	轴向压力	Fa=/ N Max
DIELECTRIC STRENG	介电强度	1000VAC ISEC	DISTANCE	距离	a=/ mm
INSULATION RESIST	绝缘电阻	100MΩm @500VDC	RADIAL-FORCE	径向压力	Fr=/ N Max
ROTOR INERTIA	转子转动惯量	970.8g.cm ²	SHAFT RADIAL PLAY	径向间隙	/mm Max. @4N
WEIGHT	重量	386g	SHAFT AXIAL PLAY	轴向间隙	/mm Max. @4N
OPERATION AMBIENT	使用环境	Ambient temperature:-25...+45°C, humidity Max.85%(No condensation)			
STORAGE AMBIENT	存储环境	Ambient temperature:-10...+45°C, humidity Max.85%(No condensation)			

A	DESIGN	DATE	P/N.
REV	ECN NO.	DESCRIPTION	ZLF
			22/03/01
			TITLE
			USED ON
			FL85BL13-48V-29400A
			DWG NO.
			REV
			A
			FULLING MOTOR