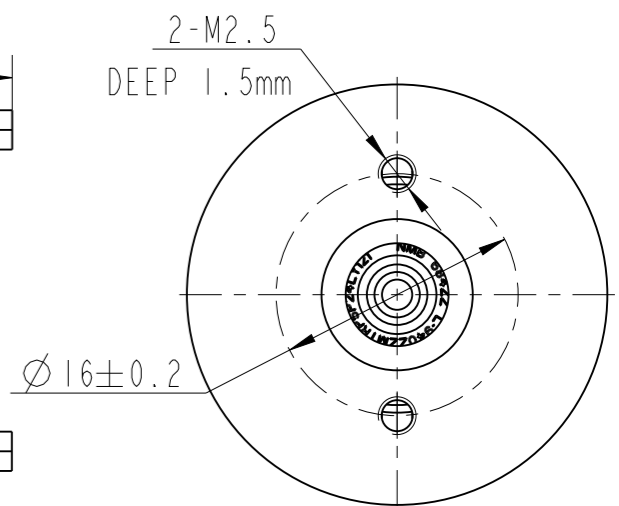
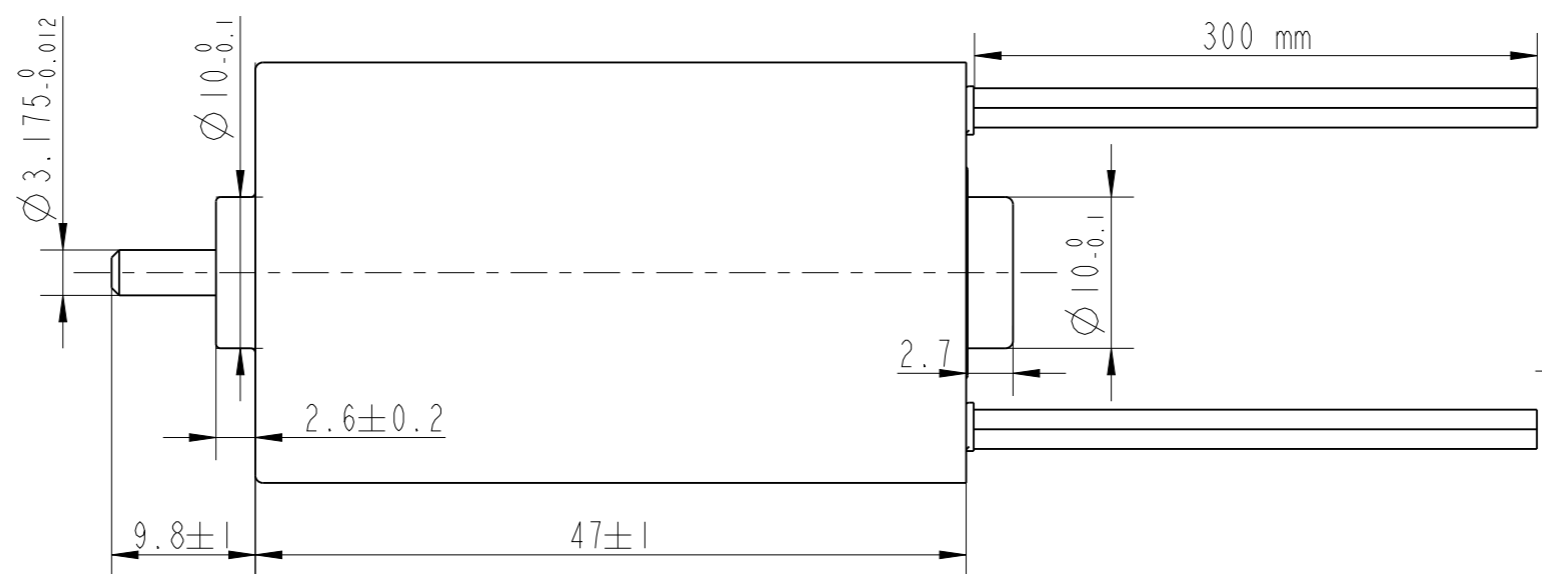
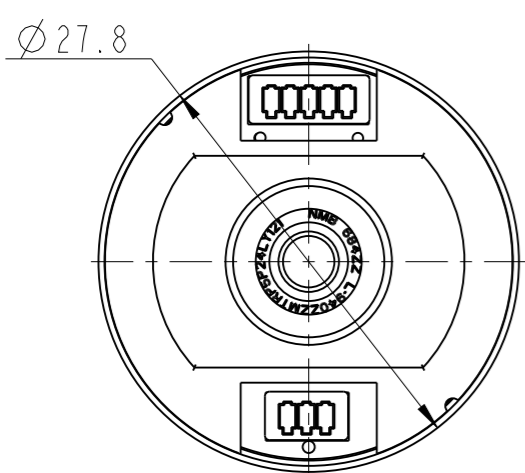
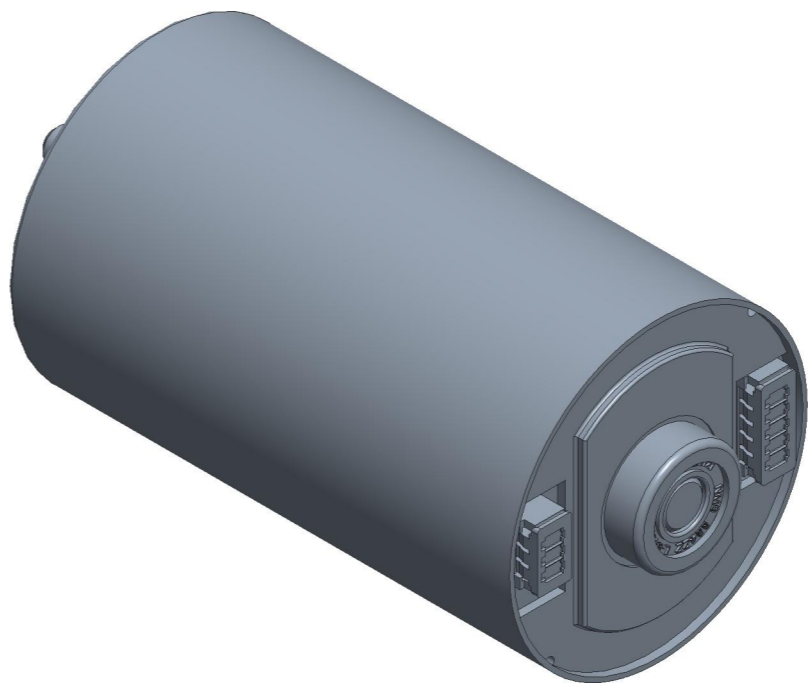
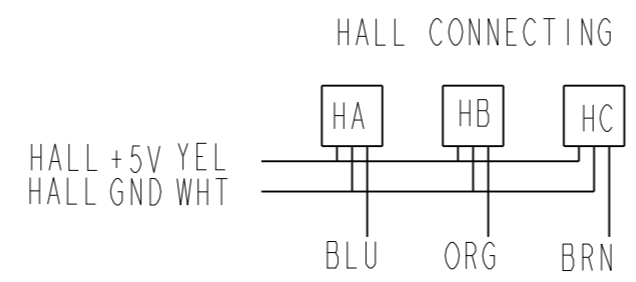
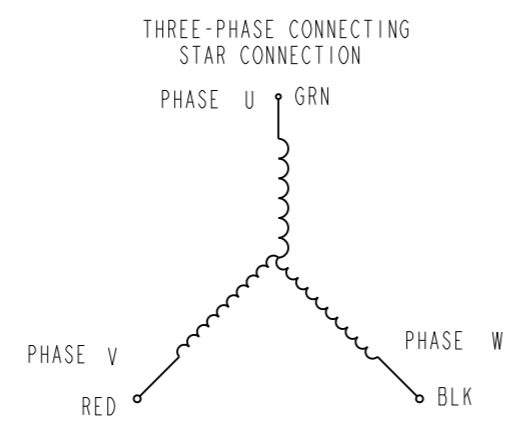
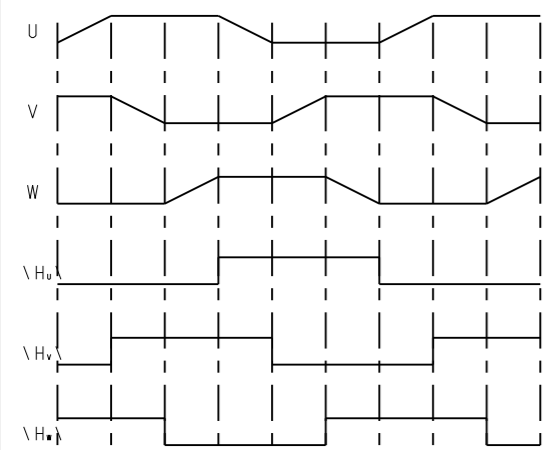


REV	ECN	NO	DESCRIPTION	DRN	APP'D	DATE



CW



NUMBER OF PHASE	绕组相数	3	Wires for Phases UL1061 AWG26		
NUMBER OF POLES	极数	8	PHASE U	PHASE V	PHASE W
LINE TO LINE RESISTANCE	线电阻	3.2±10% ohms@20°C	GRN	RED	BLK
LINE TO LINE INDUCTANCE	线电感	1.2±20% mH@1kHz	Wires for Hall UL1430 AWG28		
NOMINAL VOLTAGE	额定电压	24 VDC	HALL Vcc	Hu	Hv
NO LOAD SPEED	空载转速	6300±10% RPM	YEL	BLU	ORG
NO LOAD CURRENT	空载电流	<0.4 A	Hw	BRN	HALL Gnd
RATED TORQUE	额定转矩	50 mN.m	WHT		
RATED SPEED	额定转速	4500 RPM	PERMISSIBLE RADIAL+AXIAL FORCE		
RATED CURRENT	额定电流	1.5 A			
PEAK TORQUE	峰值扭矩	150 mN.m	AXIAL-FORCE	轴向压力	Fa= 5 N Max
PEAK CURRENT	峰值电流	4.5 A	DISTANCE	距离	a=10 mm
BACK EMF CONSTANT	反电势常数	2.68±10% Vrms/kRPM	RADIAL-FORCE	径向压力	Fr=2 N Max
TORQUE CONSTANT	转矩常数	36±10% mN.m/A	SHAFT RADIAL PLAY	径向间隙	0.02mm Max.@4N
INSULATION CLASS	绝缘等级	B 130°C	SHAFT AXIAL PLAY	轴向间隙	0.14mm Max.@4N
DIELECTRIC STRENGTH	介电强度	650VAC ISEC	OPERATION AMBIENT 使用环境 Ambient temperature:-20...+50°C, humidity Max.85%(No condensation)		
INSULATION RESIST	绝缘电阻	100MOhm @500VDC	STORAGE AMBIENT 存储环境 Ambient temperature:-10...+85°C, humidity Max.85%(No condensation)		
ROTOR INERTIA	转子转动惯量	6g.cm ²			
WEIGHT	重量	0.1Kg			

REV	ECN NO.	DESCRIPTION	DESIGN	DATE	P/N.
					3.1.02.028.
UNLESS OTHERWISE SPECIFIED		MATERIAL	CONTR.	CHECK	TITLE
TOLERANCES:					specification
DECIMALS:					USED ON
.X	±0.5				FL28CBLA48-24V-4524A
.XX	±0.25				DWG NO.
.XXX	±0.1				REV
UNIT: mm		FIRST ANGLE PROJECTION	SCALE 2:1		A
DO NOT SCALE DRAWING			SHEET 1 OF 1	FULLING MOTOR	