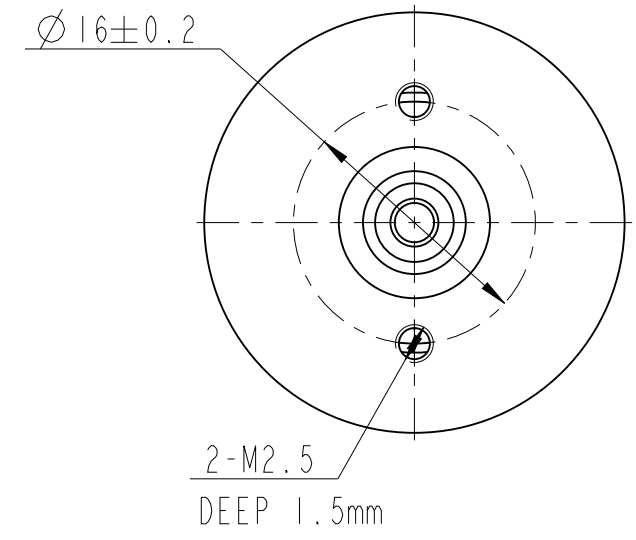
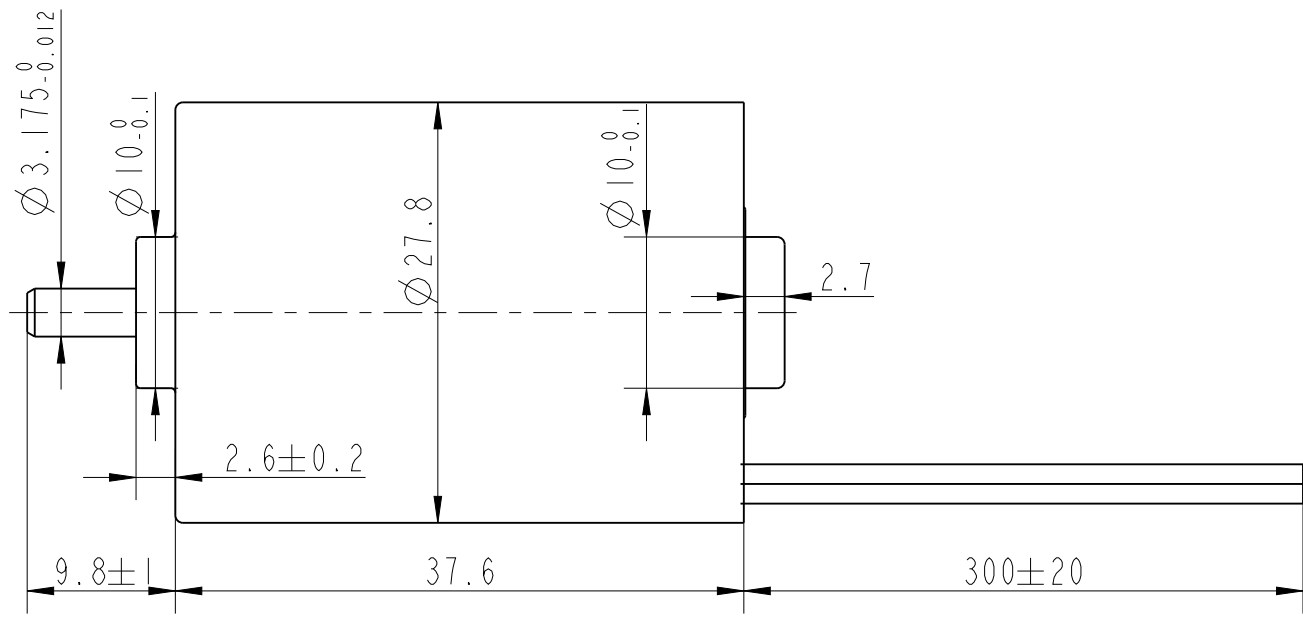
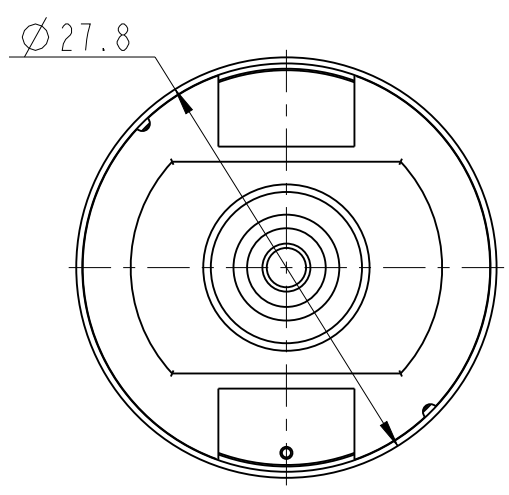
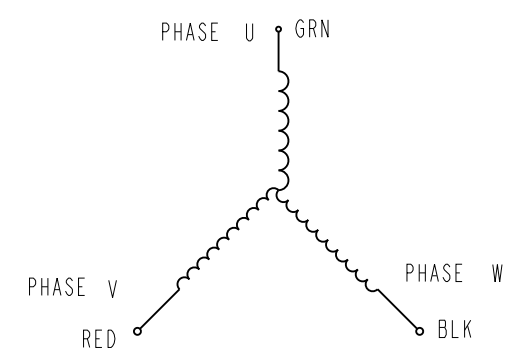


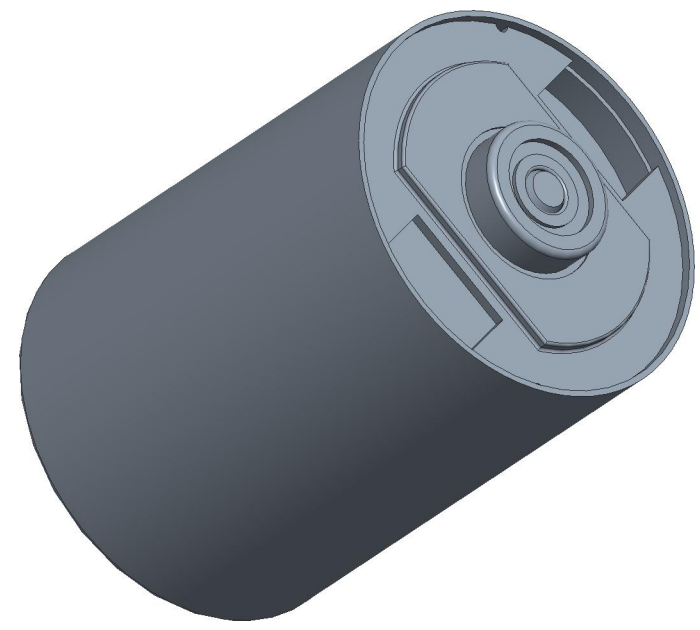
REV	ECN	NO	DESCRIPTION	DRN	APP'D	DATE



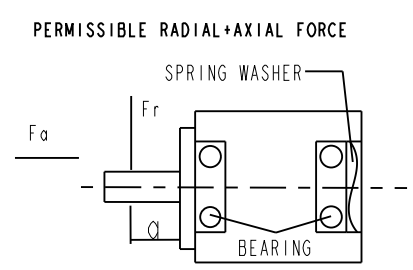
THREE-PHASE CONNECTING  
STAR CONNECTION



CW: VIEWED FROM OUTPUT SHAFT  
CW: 从出轴方向看



NUMBER OF PHASE	绕组相数	3					
NUMBER OF POLES	极数	8					
LINE TO LINE RESISTANCE	线电阻	5.69±10% ohms@20°C					
LINE TO LINE INDUCTANCE	线电感	2.48±20% mH@1kHz	Wires for Hall ULI430 AWG28				
NOMINAL VOLTAGE	额定电压	24 VDC	VCC(+24V)	GND	PWM	F/R	PG
NO LOAD SPEED	空载转速	5400±10% RPM	RED	BLK	BLU	GRN	WHT
NO LOAD CURRENT	空载电流	0.3 A					
RATED TORQUE	额定转矩	28 mN.m					
RATED SPEED	额定转速	4000 RPM					
RATED CURRENT	额定电流	0.75 A					
PEAK TORQUE	峰值扭矩	37.5 mN.m					
PEAK CURRENT	峰值电流	1 A					
BACK EMF CONSTANT	反电势常数	3.165±10% Vrms/kRPM					
TORQUE CONSTANT	转矩常数	42.7±10% mN.m/A					
INSULATION CLASS	绝缘等级	B 130°C					
DIELECTRIC STRENG	介电强度	650VAC ISEC	AXIAL-FORCE	轴向压力	Fa= 4 N Max		
INSULATION RESIST	绝缘电阻	100MΩ @500VDC	DISTANCE	距离	a=10 mm		
ROTOR INERTIA	转子转动惯量	6g.cm <sup>2</sup>	RADIAL-FORCE	径向压力	Fr=4 N Max		
WEIGHT	重量	0.1Kg	SHAFT RADIAL PLAY	径向间隙	0.02mm Max.@4N		
OPERATION AMBIENT	使用环境	Ambient temperature:-20...+50°C, humidity Max.85%(No condensation)	SHAFT AXIAL PLAY	轴向间隙	0.14mm Max.@4N		
STORAGE AMBIENT	存储环境	Ambient temperature:-10...+85°C, humidity Max.85%(No condensation)					



REV	ECN NO.	DESCRIPTION	DESIGN	DATE	P/N.
					3.1.02.028.0309
UNLESS OTHERWISE SPECIFIED		MATERIAL	CONTR.	CHECK	TITLE
TOLERANCES:					specification
DECIMALS:					USED ON
.X	±0.5				FL28CBLA38-24V-4012A-1E
.XX	±0.25				DWG NO.
.XXX	±0.1				REV
UNIT: mm		FIRST ANGLE PROJECTION	SCALE 2:1		A
DO NOT SCALE DRAWING			SHEET 1 OF 1		FULLING MOTOR